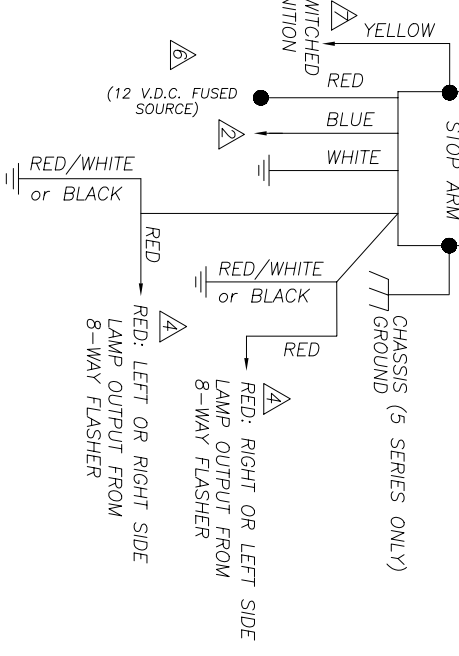
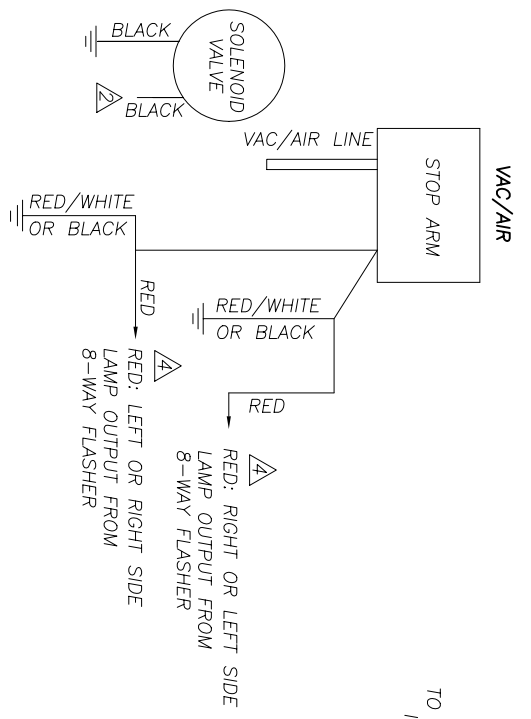
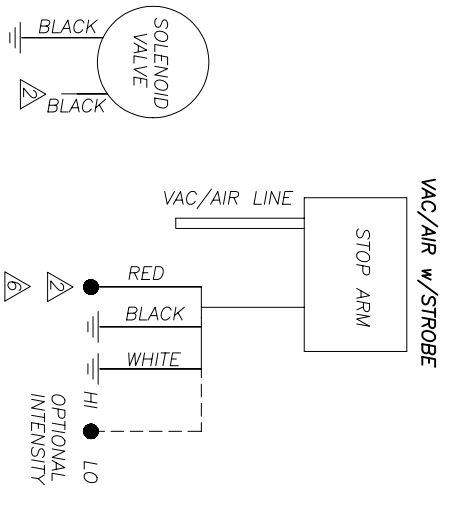
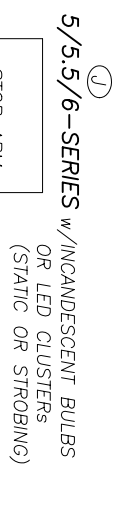
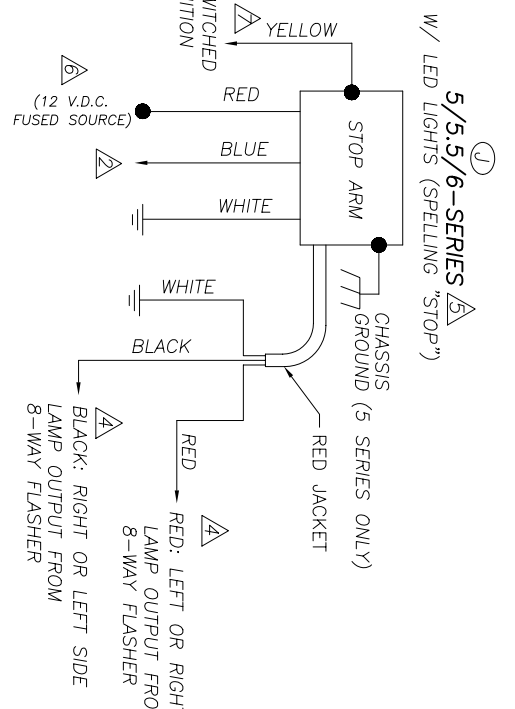
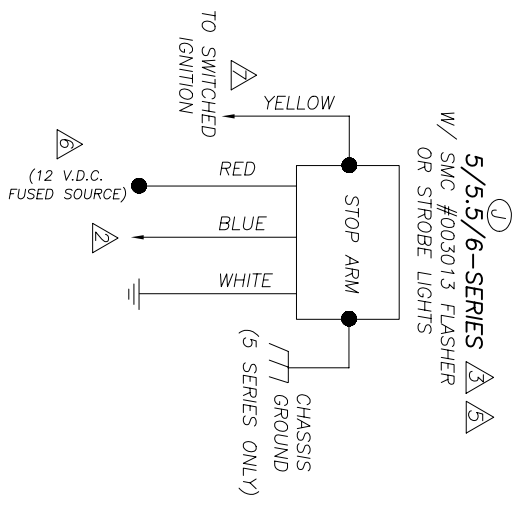


REV.	DATE	BY	NOTES
A	5/16/01	JHE	ADDED NOTES PER EMMETT'S REQUEST
B	8/24/01	JHE	ADDED NOTES FOR 6 SERIES
C	3/JUN03	RJD	WIRE CHANGE FOR STOP ARMS W/STROBE
D	15/JUL03	RJD	CLARIFY NOTE 1, ADD DETAILS TO FLASHER
E	12/4/03	GCM	ADDED NOTE 7
F	02/FEB04	RJD	ADDED INFO FOR LED CLUSTERS
G	25/JUN04	RJD	ADDED 5202 TO NOTE 4
H	10/13/04	GCM	REVISED DRAWING AND NOTES
J	8/22/05	GCM	ADDED 5.5 AND 6 SERIES TO DWG, REV'D NOTES



**NOTES:**

- ⚠️ CROSSING GATE WIRING IS SAME AS STOP ARM EXCEPT TYPICALLY NO LIGHTS. 5 SERIES ALSO HAS A YELLOW HEATER WIRE TO OPTIONALLY CONNECT TO SWITCHED POWER (IGNITION).
- ⚠️ 8 WAY FLASHER TERMINAL OR ACTIVATION SWITCH ON ALL WIRES AS NOTED.
- ⚠️ THIS WIRING DIAGRAM IS ONLY FOR SMC S/A P/N'S 5200, 5202, 5250, 5251, 5420, 5520, 5920, AND 6520.
- ⚠️ INCANDESCENT BULB, STROBING CLUSTER LED, AND, STEADY STATE CLUSTER LED WIRING ONLY CONNECTS TO 8-LAMP FLASHER, ONE LEFT, ONE RIGHT (ex: WELDON 7000)
- ⚠️ LIGHTS FOR THE S/A ARE WIRED INTERNALLY USING POWER FROM SOLID RED (+) AND WHITE (-) WIRES.
- ⚠️ FUSE MUST BE RATED AT 5A, FAST BLOW.
- ⚠️ YELLOW WIRE IS FOR HEATER ASSEMBLY ON SERIES 5 ONLY

**SPECIALTY**  
MANUFACTURING CO.

A division of The Ellison Company, Inc.  
10200 PINEVILLE ROAD  
P.O. BOX 790  
PINEVILLE, NC 28134

DRAWN BY: J. ENLOE      DATE: 05/16/01

MATERIAL: N/A

FINISH: N/A

SCALE: 1 OF 1

TOLERANCES (EXCEPT AS NOTED):  
DECIMAL: .XXX ± .010 XX ± .03  
ANGULAR: ± 1°

DESCRIPTION: UNIVERSAL WIRING DIAGRAM, STOP ARM

DIRECTORY: C:/ACAD/MAIN.DWG

FILE NAME: 1-2-5-6J

DRAWING/PART NO. 1-2-5-6

REV. J