

SOLID STATE TROUBLESHOOTING:

(LOCATE BY PROBLEM)

A) ARM WILL NOT OPEN OR WILL NOT CLOSE:

- Loosen the (4) cover screws and take off cover & arm.
- Check all wire connections (replace if needed).
- Loosen the (2) torx screws and take out motor.
- Check the motor on the independent power supply.
- If motor doesn't work then replace with new motor part 4040.
- If motor works then take out the (2) torx screws holding Solid State Module and remove.
- Check Solid State with working motor on independent power supply.
 - Wiring: Green to ground, Red to +12 V.D.C, Blue to activate module
- If Solid State Module doesn't work then replace with new part 4051-001 or 4052-001.
- If Solid State Module works then there is a problem with wiring or electrical on bus.
- Re-install new module, motor, clutch, arm, cover & screws and confirm operation.
- Refer to drawing 4696 & 4691 at end of troubleshooting sheet for torque & wiring requirements.

B) ARM MAKES MOTOR NOISE WHEN ACTIVATED BUT SIGN WILL NOT OPEN:

- Loosen the (4) cover screws and take off cover.
- Check for resistance by pulling arm open.
- If blade easily opens then Motor or Clutch may be bad.
- Check motor and clutch by loosening the (2) torx screws and take out motor & clutch.
- Pull off clutch and check for breakage.
- If there is breakage then replace with new part 4001-004.
- Also check if motor easily moves with hand or wrench.
- If motor moves very easily then replace motor part 4040.
- Re-install new module, motor, clutch, arm, cover and screws then confirm operation.
- Refer to drawing 4696 & 4691 at end of troubleshooting sheet for torque & wiring requirements.

C) ARM MOVES FREELY

- Loosen the (4) cover screws and take off cover & arm.
- Check motor and clutch by loosening the (2) torx screws next take out motor & clutch.
- Pull off clutch and check for breakage.
- If there is breakage then replace with new part 4001-004.
- Also check if motor easily moves with hand or wrench.
- If motor moves very easily then replace with motor part 4040.
- Re-install new module, motor, clutch, arm, cover and screws then confirm operation.
- Refer to drawing 4696 & 4691 at end of troubleshooting sheet for torque & wiring requirements.

D) ARM GOES BEHOND 90 AND WRAPS INTO BUS.

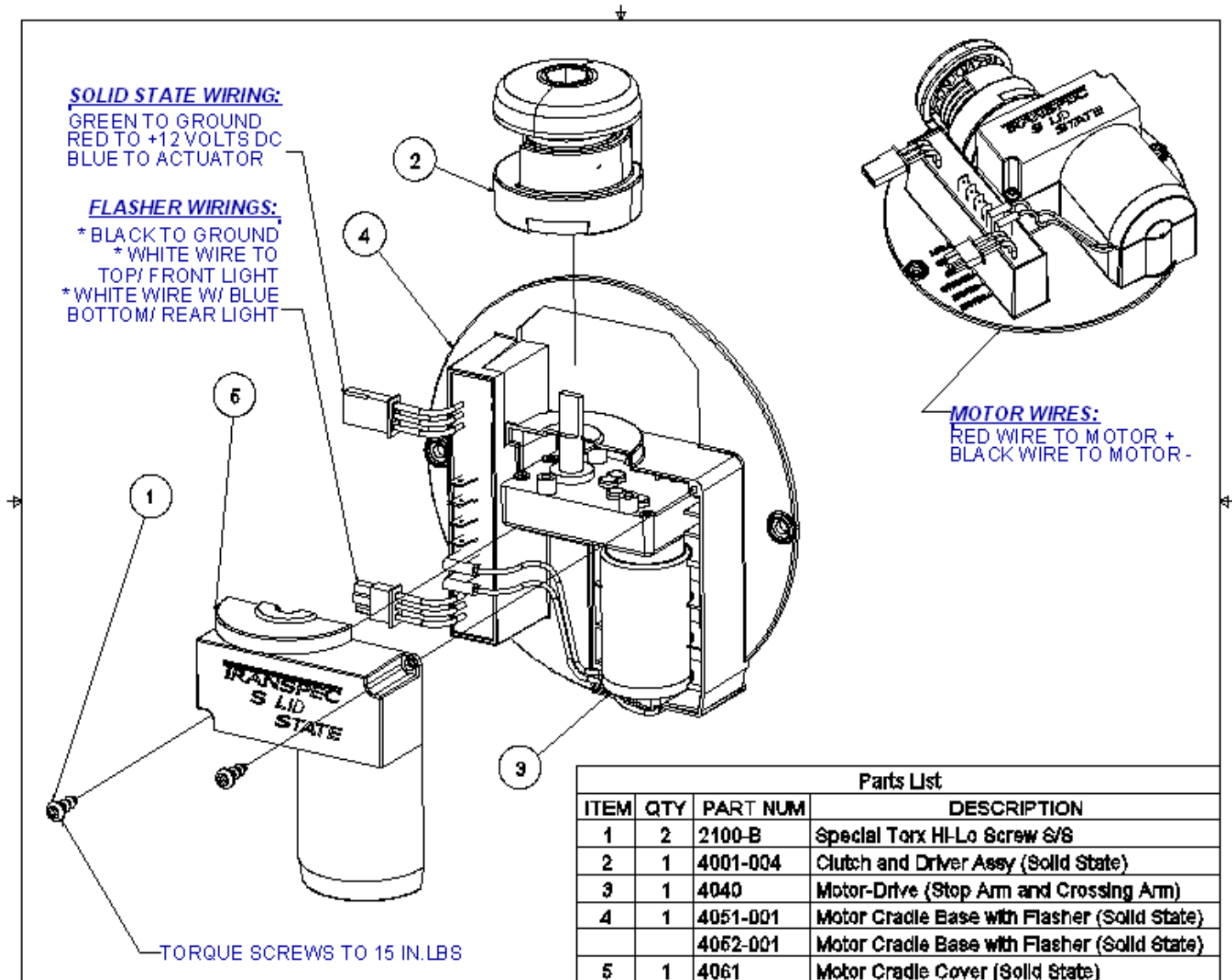
- Loosen the (4) cover screws and take off cover & arm.
- Check clutch by loosening the (2) torx screws and take out motor & clutch
- Check to see if the (2) magnets on clutch are in place.
- If magnet is missing then replace clutch part 4001-004.
- If clutch is good then take out the (2) torx screws holding Solid State Module and remove.
- Replace solid-state module with new module part 4051-001 or 4052-001.
- Re-install new module, motor, clutch, arm, cover and screws then confirm operation.
- Refer to drawing 4696 & 4691 at end of troubleshooting sheet for torque & wiring requirements

E) ARM KEEPS CLOSING WHEN ALREADY CLOSED.

- Loosen the (4) cover screws and take off cover & arm.
- Check clutch by loosening the (2) torx screws and take out motor & clutch.
- Check to see if the (2) magnets on clutch are in place.
- If magnet is missing then replace clutch part 4001-004.
- If clutch is good then take out the (2) torx screws holding Solid State Module and remove.
- Replace solid-state module with new module part 4051-001 or 4052-001.
- Re-install new module, motor, clutch, arm, cover and screws then confirm operation.
- Refer to drawing 4696& 4691 at end of troubleshooting sheet for torque & wiring requirements.

F) ARM ONLY WORKS SOMETIMES (WORKS INTERMITTENTLY)

- Loosen the (4) cover screws and take off cover & arm.
- Check all wire connections (replace if needed).
- Loosen the (2) torx screws and take out motor.
- Check motor on independent power supply.
- If motor doesn't work then replace with new motor part 4040.
- If motor works then take out the (2) torx screws holding Solid State Module and remove.
- Replace solid-state module with new module part 4051-001 or 4052-001.
- Re-install new module, motor, clutch, arm, cover and screws then confirm operation.
- Refer to drawing 4696 & 4691 at end of troubleshooting sheet for torque & wiring requirements.



Parts List			
ITEM	QTY	PART NUM	DESCRIPTION
1	2	2100-B	Special Torx HI-Lo Screw S/S
2	1	4001-004	Clutch and Driver Assy (Solid State)
3	1	4040	Motor-Drive (Stop Arm and Crossing Arm)
		4051-001	Motor Cradle Base with Flasher (Solid State)
		4052-001	Motor Cradle Base with Flasher (Solid State)
5	1	4061	Motor Cradle Cover (Solid State)