



Specialty Manufacturing, Inc.

Technical Bulletin
#3902A

AIR or VACUUM PUMP REPLACEMENT INSTRUCTIONS

This manual contains proprietary information of SMI. It is intended solely for the information and use of parties operating and maintaining the equipment described herein. Such proprietary information may not be used, reproduced, or disclosed to any other parties for any other purpose without the expressed written permission of SMI.

Controlled copies of SMI documents are maintained within SMI. Printed or electronic copies in other storage locations are uncontrolled



AIR or VACUUM PUMP REPLACEMENT INSTRUCTIONS

Purpose:

To illustrate the wiring and tubing schematics (Figures 1 & 2) for part 069193 in conjunction with SMI air stop arms and crossing gates.

Description:

Effective 2/10/93 Air Vacuum Pump (06193) will replace parts 63L@00305 (air compressor) and 63L@00345 (vacuum pump) which are now obsolete. This new design allows the 06193 to be utilized as a vacuum pump or air compressor, dependent on the plumbing configuration. Refer to (Figure 1-air) and (Figure 2-vacuum) for correct plumbing configuration. The recommended mounting location is in the engine compartment of the vehicle on the fire wall or in a position to be bathed in heated air and out of contact with roadway slush to promote satisfactory operation in cold weather.

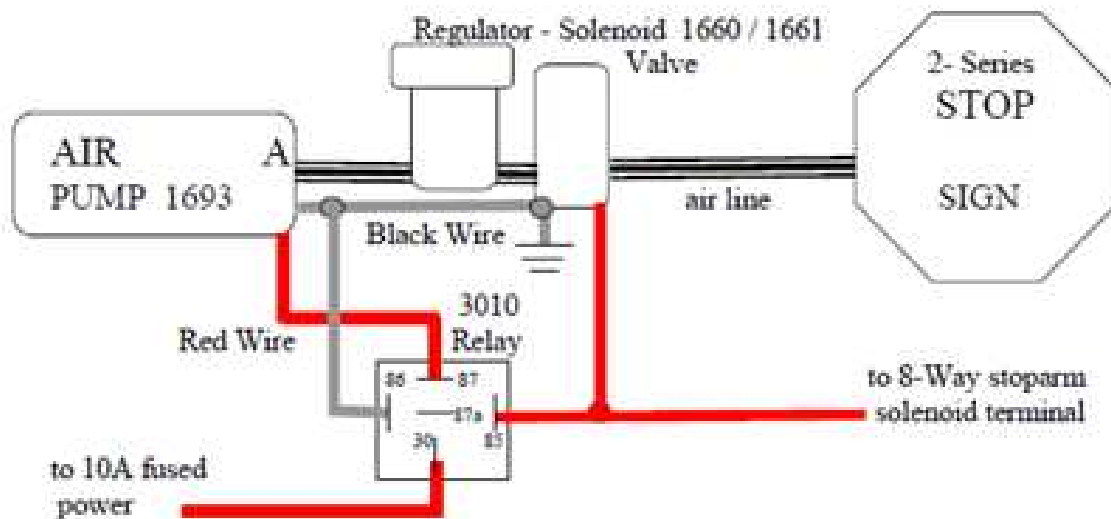


Figure 1

Controlled copies of SMI documents are maintained within SMI. Printed or electronic copies in other storage locations are uncontrolled



AIR or VACUUM PUMP REPLACEMENT INSTRUCTIONS

Vacuum Schematic

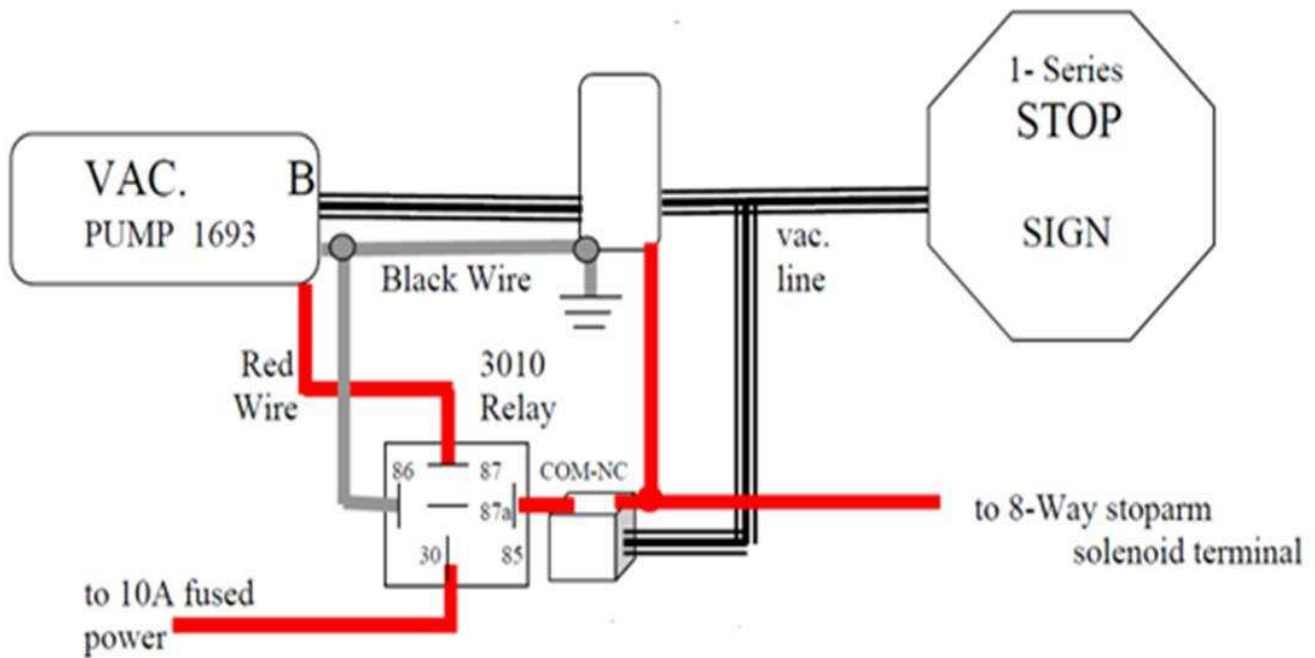


Figure 2

Controlled copies of SMI documents are maintained within SMI. Printed or electronic copies in other storage locations are uncontrolled



AIR or VACUUM PUMP REPLACEMENT INSTRUCTIONS

- DO NOT disassemble or attempt repairs except by qualified personnel due to potential electric shock hazard.
- Avoid installation in a water wet or combustible vapors location.
- DO NOT pump anything other than atmospheric air.
- Pump may be HOT to the touch immediately after extended operation.
- Use the supplied muffler / filter in the opposite port to minimize valve contamination.
- Typical vacuum generated at port 'B' is 14 inches Hg or 28-psia pressure at port 'A', use accordingly. Note- ports are threaded 1/8-27 NPT.

NOTE:

SMI recommends that hand protection, foot protection, safety glasses, and hearing protection be worn during any product maintenance process. Other safety measures may be required, at the installer's discretion, depending upon the specific processes involved. This recommendation does not supersede any shop / garage safety guidelines that are already in place. Some steps may require more than one person.

Controlled copies of SMI documents are maintained within SMI. Printed or electronic copies in other storage locations are uncontrolled



AIR or VACUUM PUMP Maintenance Reset

Rev. Level	Rev. Date	Details		Description of Change
		Page	Para.	
DRAFT	9/22/2011	ALL	ALL	REVISED TO SMI FORMAT

Specialty Manufacturing Group, Inc.

10200 Pineville Rd

Pineville, NC 28134

Toll Free 800-951-STOP (7867)

Phone 704-889-7518

Fax 704-889-2760

<http://www.smiglobal.net>

For Technical Support, Email: tech.support@smiglobal.net

More technical publications available at:

http://www.smiglobal.net/tech_bulletins.php

Controlled copies of SMI documents are maintained within SMI. Printed or electronic copies in other storage locations are uncontrolled